

SKS 220 Switching Probe

Grid 2,20
Spring travel 6,00 mm

Technical Data

Minimum grid distance:	2,20 mm
Maximum spring travel:	6,00 mm
Recommended lifting height:	80%
Spring force at 4/5 spring travel:	2 N
E-value (collar height) defines the installation height	0,0 mm
Rated current:	3 A
Contact resistance:	k.A.
Pin housing:	Nickel-silver, gold-plated
Barrel:	Brass, gold-plated
Spring:	Steel, gold-plated
Piston:	BeCu, gold-plated

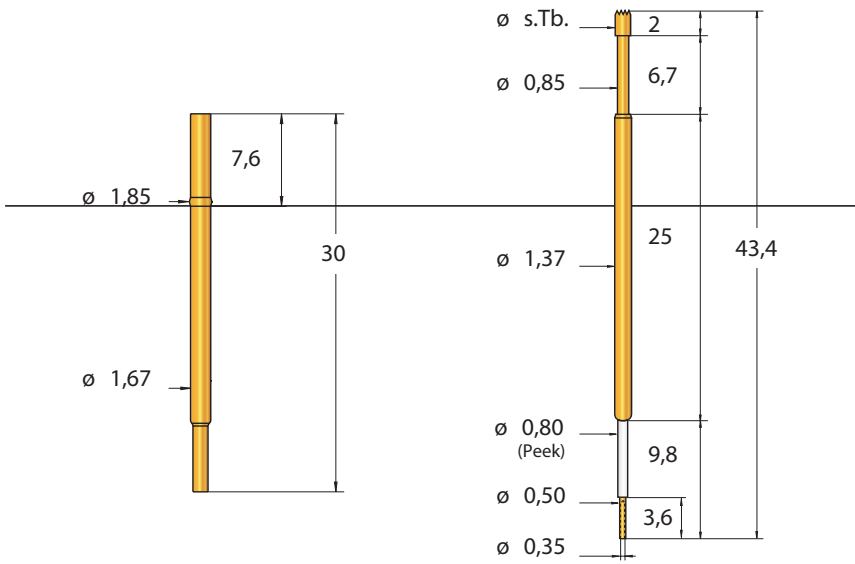


Figure	Type	ø(mm)	Electro- plating
	KU	1,30	A
	FL	1,80	A
	RI	1,00	A

Alternative Head shapes are available.

Sample Order:

Series	Head Shape	Ø Head	Electroplating	Lifting Height	Spring Pin	Collar Height
FS 254	FL	20	A	50	15	10

